

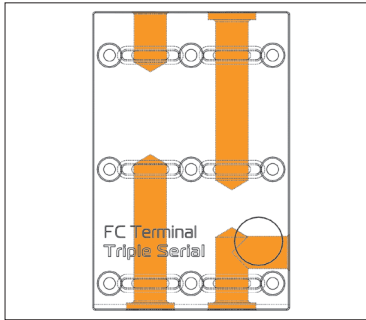


2nd revision, Nov 15th 2016

EK-FC Terminal

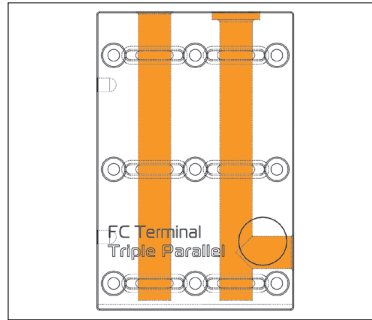
USER GUIDE

GENERAL INFORMATION: SERIAL VS PARALLEL



Serial or successive flow:

Water starts flowing initially through first block, continues to second block and ends up with the third block. Whole system flow is lower compared to parallel flow due to higher restriction.



Parallel flow:

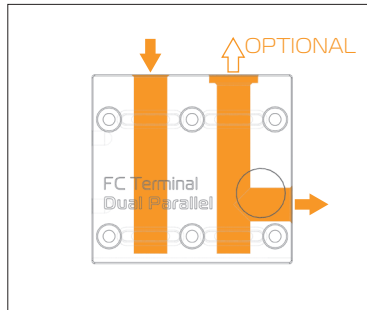
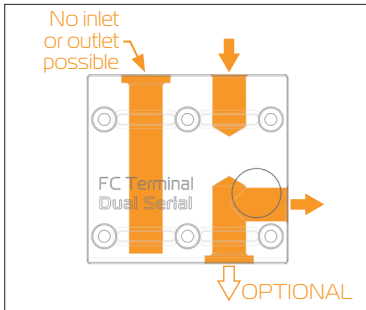
Water flows through all blocks simultaneously. With such configuration each water block gets one third of all flow. Total system flow is higher compared to serial or successive flow.

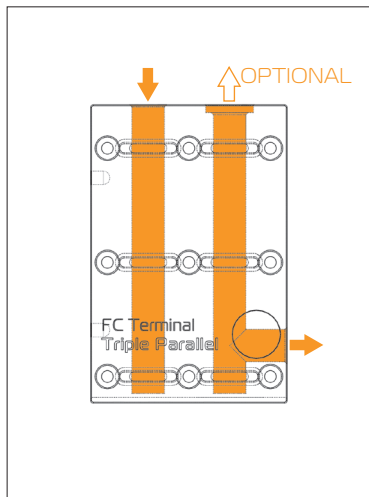
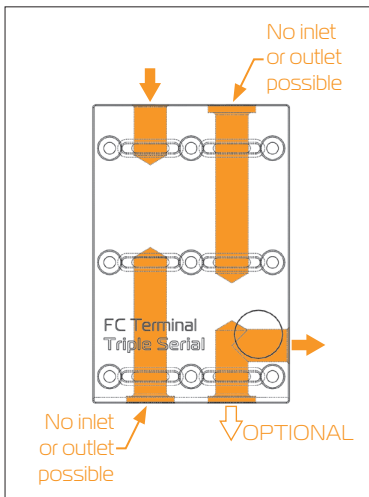
CHOOSING INLET AND OUTLET PORT

It is of highest importance to use correct inlet and outlet port configuration. Not using the correct ports may result in water bypassing the water blocks instead of flowing through the water blocks.

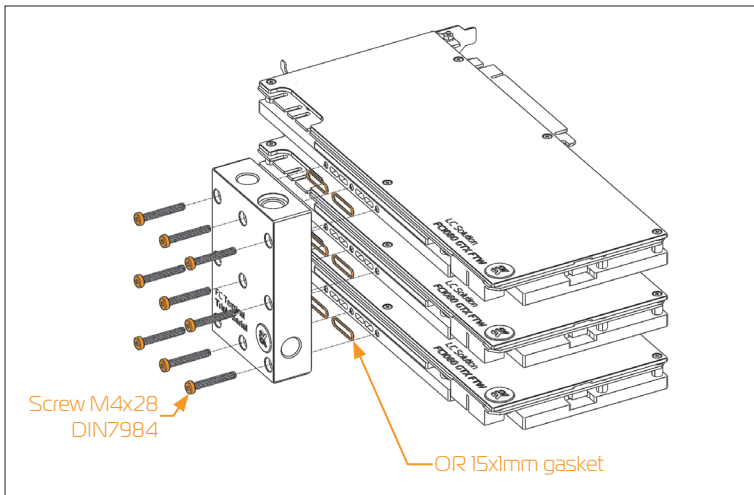


As a result the bypassed graphics card will overheat and may get damaged beyond repair!





ATTACHING THE EK-FC TERMINAL



Please take the following steps for installing any EK-FC Terminal interconnect to your graphics cards water blocks:

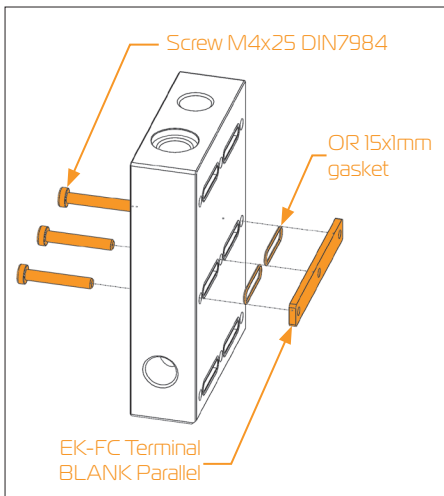
1. Remove the pre-installed Terminal from the water block. Unfasten the three (3) M4 screws using Allen (hex) key 2.5mm.



Save the O-ring gaskets and M4 Screws (mentioned in the first paragraph) from the FC Single Terminal.

2. Install the gaskets (OR 15x1mm) in grooved slots on your new EK-FC Terminal interconnect. Make sure the gaskets are installed correctly! Each water block or blank link requires two (2) gaskets!
3. Secure the new EK-FC Terminal to each water block using original screws (that came with the water block itself) using enclosed Allen (hex) key 2.5mm.
4. If necessary, plug all unused Terminal ports using appropriate EK-FC Terminal Blank Links (Serial or Parallel – depending on the type of your interconnect). Please consult page 7 and page 8 of this manual.
5. Plug all the remaining unused G1/4 threaded ports, if any, using Allen (hex) key 6mm and install your connector fittings for both inlet and outlet.«

ATTACHING THE EK-FC TERMINAL BLANK PARALLEL

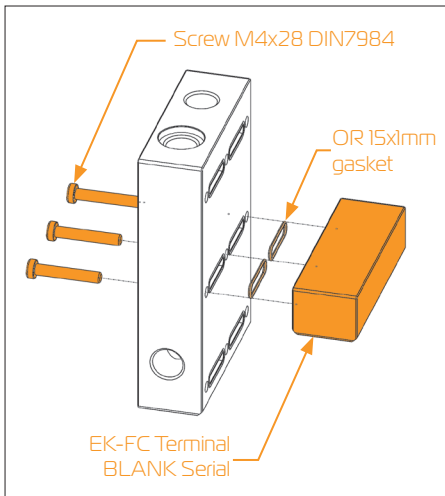


Tighten the three (3) enclosed M4x25 DIN7984 screws to EK-FC Terminal BLANK Parallel using Allen (hex) key 2.5mm.



Make sure the small OR 15x1mm gaskets are correctly installed! Pay attention the placement and make sure they are not pinched in any way in order to avoid leaking!

ATTACHING THE EK-FC TERMINAL BLANK SERIAL

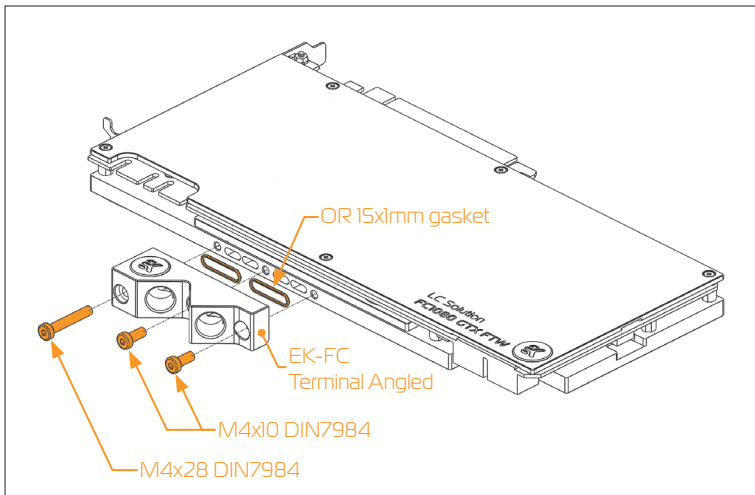


Tighten the three (3) enclosed M4x28 DIN7984 screws to EK-FC Terminal BLANK Serial using Allen (hex) key 2.5mm.

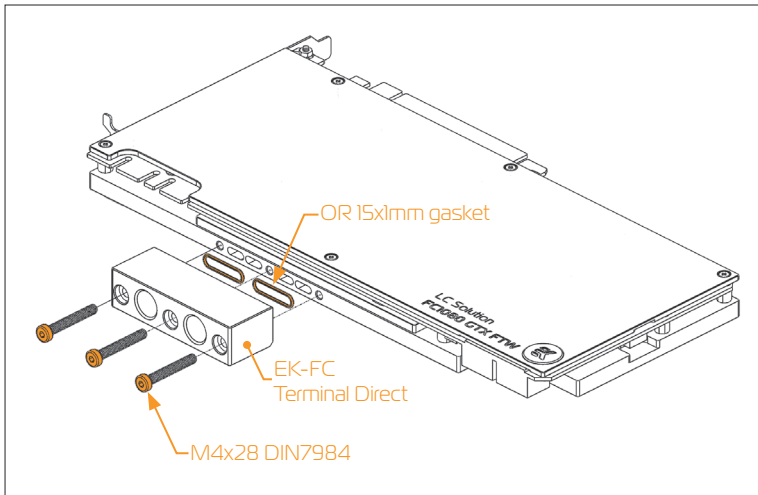


Make sure the small OR 15x1mm gaskets are correctly installed! Pay attention the placement and make sure they are not pinched in any way in order to avoid leaking!

ATTACHING THE EK-FC TERMINAL ANGLED



ATTACHING THE EK-FC TERMINAL DIRECT



Please take the following steps for installing EK-FC Terminal Angled (picture on page 9) / EK-FC Terminal Direct (picture on page 10) to your graphics cards water blocks:






1. Remove the preinstalled FC Single Terminal from the water block using 2,5mm Allen key by unfastening three M4 Screws (save these screws for later they will be used for mounting EK-FC Terminal Angled/Direct).
2. Save the O-ring gaskets as well.
3. Install OR 15x1 mm O-ring gaskets in grooved slots on the EK-FC Terminal Angled/ Direct. Make sure the gaskets are installed correctly! Each water block requires two (2) gaskets!
4. Secure the EK-FC Terminal Angled with one (1) M4x28 DIN7984 and two (2) M4x10 DIN 7984 screws or EK-FC Terminal Direct with three (3) M4x28 DIN7984 screws using the enclosed Allen (hex) key 2.5mm!

SUPPORT AND SERVICE

For assistance please contact:
<http://support.ekwb.com/>

EKWB d.o.o.
Pod lipami 18
1218 Komenda
Slovenia - EU

SOCIAL MEDIA

-  EKWaterBlocks
-  @EKWaterBlocks
-  ekwaterblocks
-  EKWBofficial
-  ekwaterblocks

